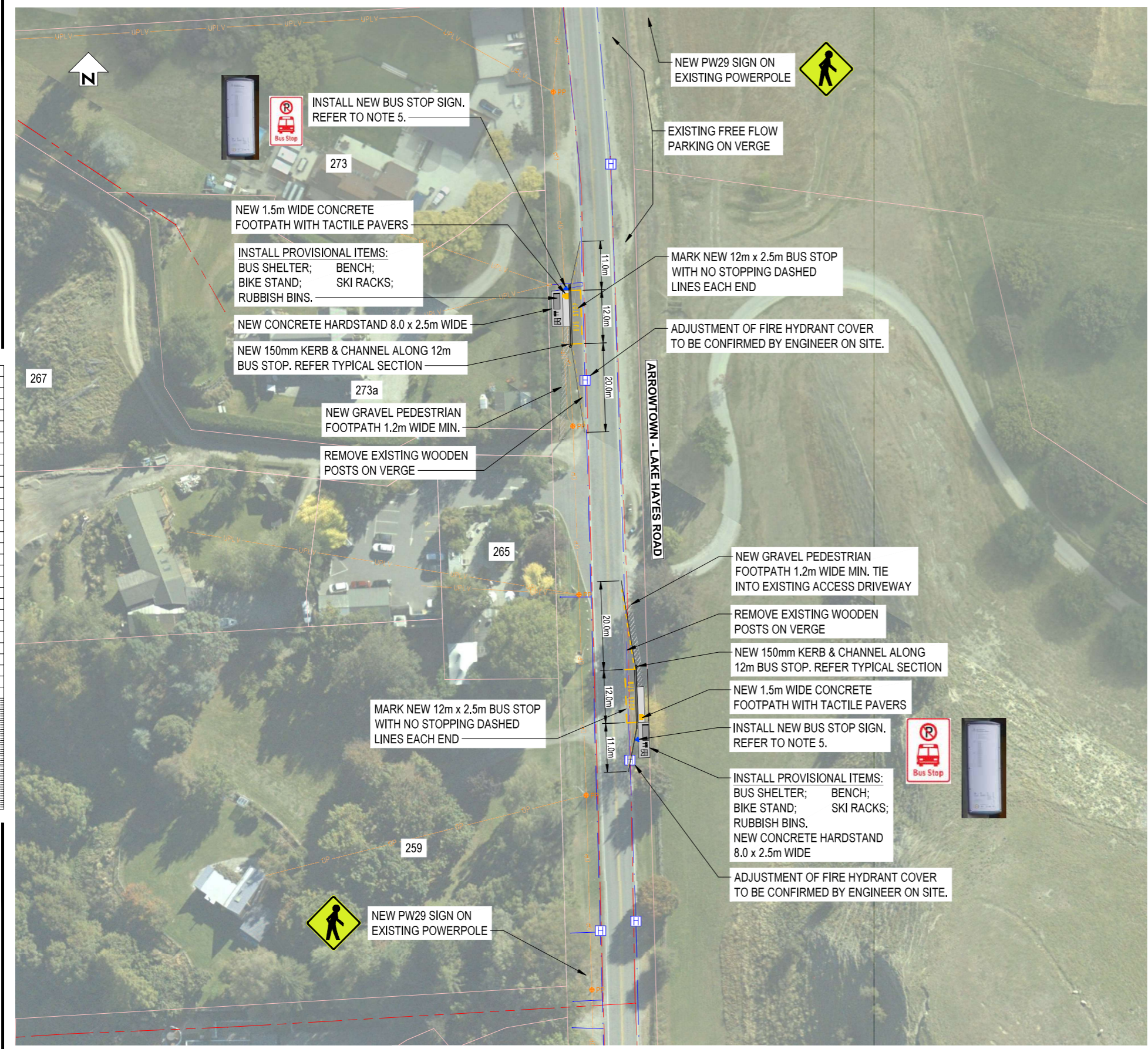


DO NOT SCALE - IF IN DOUBT, ASK

200 mm
150
100
50
0

ORIGINAL SIZE A1

Last modified: Feb 2 2021 By Phillip Cook



SITE 1
AKARUA WINERY

NOTES

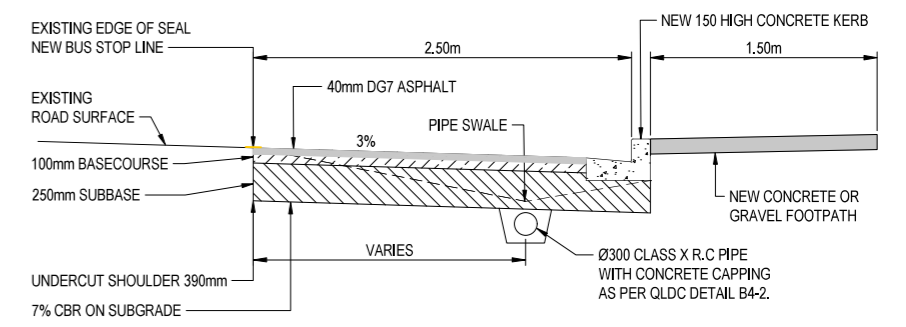
- CONTRACTOR TO SUPPLY, FABRICATE AND INSTALL NEW QLDC STANDARD BUS SHELTER WITH SKI RACK ACCESSORY FROM CAM NZ OR APPROVED EQUIVALENT.
- REFER TO OPUS DRAWING 6-XQ081.01-C05 FOR BUS SHELTER DETAILS AND SPECIFICATIONS, DRAWING 6-XQ081.01-C06 FOR BUS SHELTER STANDARD SLAB DETAILS AND 6-XQ081.01-C07 FOR STANDARD BIKE RACK DETAILS.
- ALL CONSTRUCTION ELEMENTS ARE TO BE IN ACCORDANCE WITH QLDC STANDARD DETAILS, REFER TO LIST ABOVE.
- ALL TRAFFIC SIGNS AND ROAD MARKINGS TO BE IN ACCORDANCE WITH MOTSAM/TCO.
- BUS STOP SIGN SUPPLIERS:
 - RP-5 BUS STOP AND POST TO BE SUPPLIED BY CONTRACTOR.
 - TIMETABLE TO BE SUPPLIED BY ORC.
 - SWIVEL BOARD TO BE SUPPLIED BY QLDC.
- TREES TO BE TRIMMED TO ALLOW FOOTPATH CONSTRUCTION.

SERVICES DISCLAIMER

PIPES, CABLES AND OTHER UTILITIES, FOUNDATIONS, LEVELS, REFERENCE MARKS AND OTHER OBSTRUCTIONS INDICATED ON THIS DRAWING ARE BASED ONLY ON READILY AVAILABLE RECORD PLANS AND OTHER INFORMATION. THIS INFORMATION MAY NOT BE COMPLETE, ACCURATE NOR UP TO DATE. PRIOR TO CARRYING OUT ANY EXCAVATION OR OTHER PHYSICAL WORK, CONTRACTORS SHALL OBTAIN THE LATEST INFORMATION FROM UTILITY PROVIDERS AND CARRY OUT DETAILED EXPLORATORY WORK, TRACING, SW LOCATING, PROTECTION, ISOLATION AND ALTERATIONS AS ARE REQUIRED UNDER NZS 3910 CLAUSE 5.13.

QLDC INFRASTRUCTURE CODE PART 4

- STANDARD DRAWINGS REFERENCED :
- B5-8 KERB AND DISH CHANNEL (PROFILES)
 - B5-22 HEAVY DUTY FOOTPATH (CONCRETE)
 - B5-23 FOOTPATH - ASPHALT AND GRITTED DETAILS



TYPICAL SWALE CROSS SECTION
SCALE 1 : 25

NOT FOR CONSTRUCTION

REV	DESCRIPTION	DRN	CHK	APP	DATE
O	FOR TENDER	PJC	IB		11/21
C	DETAILED DESIGN	PJC	IB		05/21
B	CLIENT REVIEW	PJC	WB		03/21
A	PRELIMINARY DESIGN	PJC	WB		01/21

STATUS	BY	DATE
SURVEYED		
DESIGNED		
DRAWN	Phillip J Cook	12/20
CAD REVIEW	Phillip Cook	11.11.21
DESIGN CHECK	Wendy Banks	11.11.21
DESIGN REVIEW	Iain Banks	
APPROVED	All Siddiqui	09.12.21
PROF REGISTRATION:		

Client

QUEENSTOWN LAKES DISTRICT COUNCIL
MODE SHIFT PT MINOR IMPROVEMENTS TRANCHE 2

AKARUA WINERY
SITE LAYOUT PLAN

Status Stamp	FOR TENDER
Date Stamp	09.12.21
Scale	1 : 500
Drawing No.	310204458-T2-001-C001
Rev.	0