

2.1 Definitions

Notes:

- a. Unless the context otherwise requires, the definitions in this chapter apply throughout the plan whenever the defined term is used. The reverse applies to the designations in Chapter 37. The definitions in Chapter 2 only apply to designations where the relevant designation says they apply.
- b. Where a term is not defined within the plan, reliance will be placed on the definition in the Act, where there is such a definition.
- c. Chapter 5: Tangata Whenua (Glossary) supplements the definitions within this chapter by providing English translations explanations of Maori words and terms used in the plan
- d. Acoustic terms not defined in this chapter are intended to be used with reference to NZS 6801:2008 Acoustics - Measurement of environmental sound and NZS 6802:2008 Acoustics - Environmental noise.
- e. Any defined term includes both the singular and the plural.
- f. Any notes included within the definitions listed below are purely for information or guidance purposes only and do not form part of the definition.
- g. Where a definition title is followed by a zone or specific notation, the intention is that the application of the definition is limited to the specific zone or scenario described.

Access	Means that area of land over which a site or lot obtains legal vehicular and/or pedestrian access to a legal road. This land may include an access leg, a private way, common land as defined on a cross-lease or company-lease, or common property (as defined in section 2 of the Unit Titles Act 2010).
Access Leg (Rear Lot or rear site)	Means the strip of land, which is included in the ownership of that lot or site, and which provides the legal, physical access from the frontage legal road to the net area of the lot or site.
Access Lot	Means a lot which provides the legal access or part of the legal access to one or more lots, and which is held in the same ownership or by tenancy-in-common in the same ownership as the lot(s) to which it provides legal access.
Accessory Building	Means any detached building the use of which is incidental to the principal building, use or activity on a site, and for residential activities includes a sleep out, garage or carport, garden shed, glasshouse, swimming pool, mast, shed used solely as a storage area, or other similar structure, provided that any garage or carport which is attached to or a part of any building shall be deemed to be an accessory building.
Accessory car park (area)	Means parking that serves a supportive function to the primary activity and is located on the same site as the primary activity.
Accessway	Means any passage way, laid out or constructed by the authority of the council or the Minister of Works and Development or, on or after 1 April 1988, the Minister of Lands for the purposes of providing the public with a convenient route for

	pedestrians from any road, service lane, or reserve to another, or to any public place or to any railway station, or from one public place to another public place, or from one part of any road, service lane, or reserve to another part of that same road, service lane, or reserve ¹ .
Act	Means the Resource Management Act 1991.
Active transport network	The network of commuter and recreational trails, pathways, and footpaths that provide for transport modes that rely on human power, including electric bicycles, primarily walking and cycling, and includes those that are located within and outside of the road network.
Activity Sensitive To Aircraft Noise (ASAN) / Activity Sensitive to Road Noise	Means any residential activity, visitor accommodation activity, residential visitor accommodation activity, homestay activity, community activity and day care facility activity as defined in this District Plan including all outdoor spaces associated with any education activity, but excludes activity in police stations, fire stations, courthouses, probation and detention centres, government and local government offices.
Adjoining Land (Subdivision)	Includes land separated from other land only by a road, railway, drain, water race, river or stream.
Aerodrome	Means a defined area of land used wholly or partly for the landing, departure, and surface movement of aircraft including any buildings, installations and equipment on or adjacent to any such area used in connection with the aerodrome or its administration.
Aircraft	Means any machine that can derive support in the atmosphere from the reactions of the air otherwise than by reactions of the air against the surface of the earth. Excludes remotely piloted aircraft that weigh less than 15 kilograms.
Aircraft Operations	Means the operation of aircraft during landing, take-off and taxiing but excludes: <ul style="list-style-type: none"> a. aircraft operating in an emergency; b. aircraft using the Airport as an alternative to landing at a scheduled airport; c. military aircraft movements; and d. engine testing.
Air Noise Boundary Queenstown (ANB)	Means a boundary as shown on the District Plan web mapping application, the location of which is based on the predicted day/night sound level of 65 dBLdn from airport operations in 2037.
Airport Activity	Means land used wholly or partly for the landing, departure, and surface movement of aircraft, including:

¹ From section 315 of the Local Government Act 1974

	<ul style="list-style-type: none"> a. aircraft operations which include private aircraft traffic, domestic and international aircraft traffic, rotary wing operations; b. aircraft servicing, general aviation, airport or aircraft training facilities and associated offices; c. runways, taxiways, aprons, and other aircraft movement areas; d. terminal buildings, hangars, air traffic control facilities, flight information services, navigation and safety aids, rescue facilities, lighting, car parking, maintenance and service facilities, fuel storage and fuelling facilities and facilities for the handling and storage of hazardous substances. e. catering facilities; f. quarantine and incineration facilities; g. border control and immigration facilities.
Airport Operator	Means the person or body that has necessary statutory authority for the establishment, maintenance, operation or management of the airport.
Airport Related Activity	<p>Means an ancillary activity or service that provides support to the airport. This includes:</p> <ul style="list-style-type: none"> a. land transport activities; b. buildings and structures; c. servicing and infrastructure; d. police stations, fire stations, medical facilities and education facilities provided they serve an aviation related purpose; e. retail and commercial services and industry associated with the needs of Airport passengers, visitors and employees and/or aircraft movements and Airport businesses; f. administrative offices (provided they are ancillary to an airport or airport related activity).
All Weather Standard	Means a pavement which has been excavated to a sound subgrade, backfilled and compacted to properly designed drainage gradients with screened and graded aggregate and is usable by motor vehicles under all weather conditions, and includes metallised and sealed surfaces.
Amenity Or Amenity Values	Means those natural or physical qualities and characteristics of an area that contribute to people's appreciation of its pleasantness, aesthetic coherence, and cultural and recreational attributes ² .

² From section 2 of the Act

Antenna	Means telecommunications apparatus, being metal rod, wire or other structure, by which signals are transmitted or received, including any bracket or attachment but not any support mast or similar structure.
Archaeological Site	Means, subject to section 42(3) of the Heritage New Zealand Pouhere Taonga Act 2014: <ul style="list-style-type: none"> a. any place in New Zealand, including any building or structure (or part of a building or structure), that – <ul style="list-style-type: none"> i. was associated with human activity that occurred before 1900 or is the site of the wreck of any vessel where the wreck occurred before 1900; and ii. provides or may provide, through investigation by archaeological methods, evidence relating to the history of New Zealand; and b. includes a site for which a declaration is made under section 43(1) of the Heritage New Zealand Pouhere Taonga Act 2014.
Area Median Income (AMI)	Means the median household income for the Queenstown Lakes District as published by Statistics New Zealand following each census, and adjusted annually by the Consumer Price Index (CPI).
Balcony	Means a floor at other than ground level having at least one side completely open except for a balustrade of a maximum height of 1.2m above balcony floor level. The balcony may be roofed and shall have direct access to the residential unit it serves.
Bar (Hotel or Tavern)	Means any part of a hotel or tavern which is used principally for the sale, supply or consumption of liquor on the premises. Bar area shall exclude areas used for storage, toilets or like facilities and space.
Biodiversity Offsets	Means measurable conservation outcomes resulting from actions designed to compensate for residual adverse biodiversity impacts arising from project development after appropriate avoidance, minimisation, remediation and mitigation measures have been taken. The goal of biodiversity offsets is to achieve no net loss and preferably a net gain of biodiversity on the ground.
Biomass Electricity Generation	Means electricity generation derived from biomass systems being recently living organisms such as wood, wood waste, by products of agricultural processes and waste.
Boat	Means any vessel, appliance or equipment used or designed to be used for flotation and navigation on or through the surface of water, other than a wetsuit or lifejacket, and includes any aircraft whilst such aircraft is on the surface of the water. Craft or boating craft shall have the same meaning. Boating activities shall mean activities involving the use of boats on the surface of water.
Boundary	Means any boundary of the net area of a site and includes any road boundary or internal boundary. Site boundary shall have the same meaning as boundary.
Building	Shall have the same meaning as the Building Act 2004, with the following exemptions in addition to those set out in the Building Act 2004:

	<ul style="list-style-type: none"> a. fences and walls not exceeding 2m in height; b. retaining walls that support no more than 2 vertical metres of earthworks; c. structures less than 5m² in area and in addition less than 2m in height above ground level; d. radio and television aerials (excluding dish antennae for receiving satellite television which are greater than 1.2m in diameter), less than 2m in height above ground level; e. uncovered terraces or decks that are no greater than 1m above ground level; f. the upgrading and extension to the Arrow Irrigation Race provided that this exception only applies to upgrading and extension works than involve underground piping of the Arrow Irrigation Race; g. flagpoles not exceeding 7m in height; h. building profile poles, required as part of the notification of Resource Consent applications; i. public outdoor art installations sited on Council owned land; j. pergolas less than 2.5 metres in height either attached or detached to a building; <p>Notwithstanding the definition set out in the Building Act 2004, and the above exemptions a building shall include:</p> <ul style="list-style-type: none"> a. any vehicle, trailer, tent, marquee, shipping container, caravan or boat, whether fixed or moveable, used on a site for a residential accommodation unit for a period exceeding 2 months.
Building Coverage	<p>Means that portion of the net area of a site which is covered by buildings or parts of buildings, including overhanging or cantilevered parts of buildings, expressed as a percentage or area. Building coverage shall only apply to buildings at ground, or above ground level. The following shall not be included in building coverage:</p> <ul style="list-style-type: none"> a. pergolas; b. that part of eaves and/or spouting, fire aprons or bay or box windows projecting 600mm or less horizontally from any exterior wall; c. uncovered terraces or decks which are not more than 1m above ground level; d. uncovered swimming pools no higher than 1m above ground level; e. fences, walls and retaining walls; f. driveways and outdoor paved surfaces.
Building Line Restriction	<p>Means a restriction imposed on a site to ensure when new buildings are erected or existing buildings re-erected, altered or substantially rebuilt, no part of any such building shall stand within the area between the building line and the adjacent site boundary.</p>
Building Supplier	<p>Means a business primarily engaged in selling goods for consumption or use in the construction, modification, cladding, fixed decoration or outfitting of buildings and without limiting the generality of this term, includes suppliers of:</p>

	<ul style="list-style-type: none"> a. glazing; b. awnings and window coverings; c. bathroom, toilet and sauna installations; d. electrical materials and plumbing supplies; e. heating, cooling and ventilation installations; f. kitchen and laundry installations, excluding standalone appliances; g. paint, varnish and wall coverings; h. permanent floor coverings; i. power tools and equipment; j. locks, safes and security installations; and k. timber and building materials.
Camping Ground	Means any area of land used, or designed or intended to be used, for rent, hire, donation, or otherwise for reward, for the purposes of placing or erecting on the land temporary living places for occupation, or permanent tourist cabins, by 2 or more families or parties (whether consisting of 1 or more persons) living independently of each other, whether or not such families or parties enjoy the use in common of entrances, water supplies, cookhouses, sanitary fixtures, or other premises and equipment; and includes any area of land used as a camping ground immediately before the commencement of the Camping Ground Regulations 1985.
Carriageway	Means the portion of a road devoted particularly to the use of motor vehicles.
Cleanfill	Means material that, when buried, will have no adverse effects on people or the environment. Cleanfill material includes virgin natural materials such as clay, soil and rock, and other inert materials, such as concrete or brick, that are free of: <ul style="list-style-type: none"> a. combustible, putrescible, degradable or leachable components; b. hazardous substances; c. products or materials derived from hazardous waste treatment, hazardous waste stabilisation, or hazardous waste disposal practices; d. materials that may present a risk to human or animal health, such as medical and veterinary waste, asbestos or radioactive substances; or e. liquid waste.
Cleanfill Facility	Means land used solely for the disposal of cleanfill. A cleanfill facility may include stockpiling, rehabilitation and landscaping.
Clearance of Vegetation	Means the removal, trimming, felling, or modification of any vegetation and includes cutting, crushing, cultivation, soil disturbance including direct drilling, spraying with herbicide or burning. Clearance of vegetation includes, the deliberate application of water or oversowing where it would change the ecological conditions such that the resident indigenous plant(s) are killed by competitive exclusion. Includes dryland cushion field species.

Commercial	Means involving payment, exchange or other consideration.
Commercial Activity	Means the use of land and buildings for the display, offering, provision, sale or hire of goods, equipment or services, and includes shops, postal services, markets, showrooms, restaurants, takeaway food bars, professional, commercial and administrative offices, service stations, motor vehicle sales, the sale of liquor and associated parking areas. Excludes recreational, community and service activities, home occupations, visitor accommodation, residential visitor accommodation and homestays.
Commercial Livestock	Means livestock bred, reared and/or kept on a property for the purpose of commercial gain, but excludes domestic livestock.
Commercial Recreational Activities	Means the commercial guiding, training, instructing, transportation or provision of recreation facilities to clients for recreational purposes including the use of any building or land associated with the activity, excluding ski area activities.
Common Property	Means: <ul style="list-style-type: none"> a. all the land and associated fixtures that are part of the unit title development but are not contained in a principal unit, accessory unit, or future development unit; and b. in the case of a subsidiary unit title development, means that part of the principal unit subdivided to create the subsidiary unit title development that is not contained in a principal unit, accessory unit, or future development unit³.
Community Activity	Means the use of land and buildings for the primary purpose of health, welfare, care, safety, education, culture and/or spiritual well being. Excludes recreational activities. A community activity includes day care facilities, education activities, hospitals, doctors surgeries and other health professionals, churches, halls, libraries, community centres, police purposes, fire stations, courthouses, probation and detention centres, government and local government offices.
Community Housing	Means residential activity that maintains long term affordability for existing and future generations through the use of a retention mechanism, and whose cost to rent or own is within the reasonable means of low and moderate income households.
Comprehensive Development (For the purpose of Chapters 12 and 13 only)	Means the construction of a building or buildings on a site or across a number of sites with a total land area greater than 1400m ² .

³ From the Unit Titles Act 2010

Contributory Buildings (For the purpose of Chapter 26 only)	Means buildings within a heritage precinct that contribute to the significance of a heritage precinct some of which may be listed for individual protection in the Inventory of Listed Heritage Features under Rule 26.8. They may contain elements of heritage fabric, architecture or positioning that adds value to the heritage precinct. They have been identified within a heritage precinct because any future development of the site containing a contributory building may impact on the heritage values of heritage features, or the heritage precinct itself. Contributory buildings are identified on the plans under Section 26.7 'Heritage Precincts'. (Refer also to the definition of Non-Contributory Buildings).
Corporate Colour Scheme	Means the colour or colours which a business or organisation adopts as a key visual element of its corporate identity.
Council	Means the Queenstown Lakes District Council or any Committee, Sub Committee, Community Board, Commissioner or person to whom any of the Council's powers, duties or discretions under this Plan have been lawfully delegated pursuant to the provisions of the Act. District council shall have the same meaning.
Critical Listening Environment	Means any space that is regularly used for high quality listening or communication for example principle living areas, bedrooms and classrooms but excludes non-critical listening environments.
Cultural Impact Assessment	Means a report that sets out Māori perspective on values, interests and associations with an area or resource. These are technical reports for the purposes of an assessment of environmental effects (AEE).
Day Care Facility	Means land and/or buildings used for the care during the day of elderly persons with disabilities and/or children, other than those residing on the site.
Design Sound Level	Means 40 dB Ldn in all critical listening environments.
District	Means Queenstown Lakes District
Domestic Livestock	<p>Means livestock bred, reared and/or kept on a property, excluding that which is for the purpose of commercial gain.</p> <ol style="list-style-type: none"> a. In all zones, other than the Rural, Rural Lifestyle and Rural Residential Zones, it is limited to 5 adult poultry per site, and does not include adult roosters or peacocks; and b. In the Rural, Rural Lifestyle and Rural Residential Zones it includes any number of livestock bred, reared and/or kept on a site for family consumption, as pets, or for hobby purposes and from which no financial gain is derived, except that in the Rural Residential Zone it is limited to only one adult rooster and peacock per site. <p>Note: Domestic livestock not complying with this definition shall be deemed to be commercial livestock and a farming activity.</p>
Earthworks	<p>Means the disturbance of land by the removal or deposition on or change to the profile of land.</p> <p>Earthworks includes excavation, filling, cuts, root raking and blading, firebreaks, batters and the formation of roads, access, driveways, tracks and the deposition and removal of cleanfill.</p>

Ecosystem Services	Means the resources and processes the environment provides that people benefit from e.g. purification of water and air, pollination of plants and decomposition of waste.
Education Activity	Means the use of land and buildings for the primary purpose of regular instruction or training including early childhood education, primary, intermediate and secondary schools, tertiary education. It also includes ancillary administrative, cultural, recreational, health, social and medical services (including dental clinics and sick bays) and commercial facilities.
Electricity Distribution	Means the conveyance of electricity via electricity distribution lines, cables, support structures, substations, transformers, switching stations, kiosks, cabinets and ancillary buildings and structures, including communication equipment, by a network utility operator.
Elderly care home	Means a facility providing rest home care within the meaning of the Health and Disability Services (Safety) Act (2001), or a home for the residential care of older persons and/or any land or buildings used for the care of older persons within a retirement village.
Energy Activities	Means the following activities: <ul style="list-style-type: none"> a. small and community-scale distributed electricity generation and solar water heating; b. renewable electricity generation; c. non-renewable electricity generation; d. wind electricity generation; e. solar electricity generation; f. stand-alone power systems (SAPS); g. biomass electricity generation; h. hydro generation activity; i. mini and micro hydro electricity generation.
Environmental Compensation	Means actions offered as a means to address residual adverse effects to the environment arising from project development that are not intended to result in no net loss or a net gain of biodiversity on the ground, includes residual adverse effects to other components of the environment including landscape, the habitat of trout and salmon, open space, recreational and heritage values.
Exotic (Trees and Plants)	Means species which are not indigenous to that part of New Zealand.
Extent of Place (For the purpose of Chapter 26 only)	Means the area around and/or adjacent to a heritage feature listed in the Inventory of Listed Heritage Features under Section 26.8 and which is contained in the same legal title as a heritage feature listed in the Inventory, the extent of which is identified in Section 26.8.1. (Refer also to the definition of Setting).

External Alterations and Additions (For the purpose of Chapter 26 only)	Means undertaking works affecting the external heritage fabric of heritage features, but excludes repairs and maintenance, and partial demolition. External additions includes signs and lighting.
External Appearance (Buildings)	Means the bulk and shape of the building including roof pitches, the materials of construction and the colour of exterior walls, joinery, roofs and any external fixtures.
Factory Farming	Includes: <ul style="list-style-type: none"> a. the use of land and/or buildings for the production of commercial livestock where the regular feed source for such livestock is substantially provided other than from grazing the site concerned; b. boarding of animals; c. mushroom farming.
Farming Activity	Means the use of land and buildings for the primary purpose of the production of vegetative matters and/or commercial livestock. Excludes residential activity, home occupations, factory farming and forestry activity. Means the use of lakes and rivers for access for farming activities.
Farm Building	Means a building (as defined) necessary for the exercise of farming activities (as defined) and excludes: <ul style="list-style-type: none"> a. buildings for the purposes of residential activities, home occupations, factory farming and forestry activities; b. visitor accommodation and temporary accommodation.
Flat site	Means a site where the ground slope is equal to or less than 6 degrees (i.e. equal to or less than 1 in 9.5). Ground slope in relation to building height shall be determined by measurement over the extremities of each building elevation. Where all elevations indicate a ground slope of less than 6 degrees (i.e. equal to or less than 1 in 9.5), rules applicable to flat sites will apply.
Flood Protection Work	Means works, structures and plantings for the protection of property and people from flood fairways or lakes, the clearance of vegetation and debris from flood fairways, stop banks, access tracks, rockwork, anchored trees, wire rope and other structures.
Forestry Activity	Means the use of land primarily for the purpose of planting, tending, managing and harvesting of trees for timber or wood production in excess of 0.5ha in area. Plantation Forestry is as defined by the Resource Management (National Environmental Standard for Plantation Forestry) Regulations 2017.
Formed Road	Means a road with a carriageway constructed to an all-weather standard with a minimum width of 3m.
Frontage	Means the road boundary of any site.

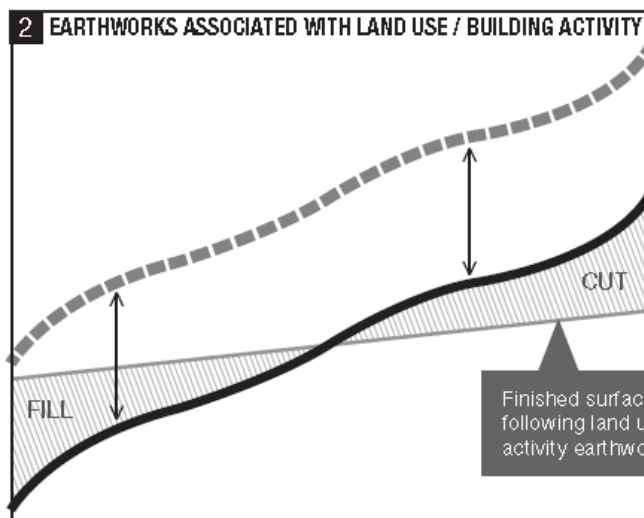
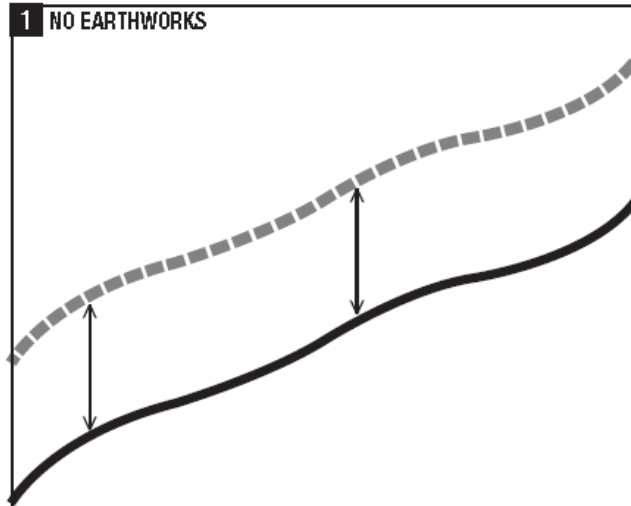
Full-Time Equivalent Person	Means the engagement of a person or persons in an activity on a site for an average of 8 hours per day assessed over any 14 day period.
Garage	Is included within the meaning of residential unit, and means a building or part of a building principally used for housing motor vehicles and other ancillary miscellaneous items.
Gross Floor Area (GFA)	Means the sum of the gross area of the several floors of all buildings on a site, measured from the exterior faces of the exterior walls, or from the centre lines of walls separating two buildings.
Ground Floor Area	Means any areas covered by the building or parts of the buildings and includes overhanging or cantilevered parts but does not include pergolas (unroofed), projections not greater than 800mm including eaves, bay or box windows, and uncovered terraces or decks less than 1m above ground level.
Ground Level	<p>Means:</p> <p>The surface of the ground prior to any earthworks on the site, except that where the surface of the ground has been altered through earthworks carried out as part of a subdivision under the Resource Management Act 1991 or Local Government Act 1974 “ground level” means the finished surface of the ground following completion of works associated with the most recently completed subdivision.</p> <ol style="list-style-type: none"> “earthworks” has the meaning given in the definition of that term in this Plan and includes earthworks carried out at any time in the past; “completed subdivision” means a subdivision in respect of which a certificate pursuant to section 224(c) of the Resource Management Act 1991 or a completion certificate under the Local Government Act 1974 has been issued; “earthworks carried out as part of a subdivision” does not include earthworks that are authorized under any land use consent for earthworks, separate from earthworks approved as part of a subdivision consent after 29 April 2016; ground level interpretations are to be based on credible evidence including existing topographical information, site specific topography, adjoining topography and known site history; changes to the surface of the ground as a result of earthworks associated with building activity do not affect the “ground level” of a site; subdivision that does not involve earthworks has no effect on “ground level”; <p>Notes:</p> <ol style="list-style-type: none"> See interpretive diagrams in the definition of Height; Special height rules apply in the Queenstown town centre, where “metres above sea level” is used. This is not affected by the definition of “ground level” above, which applies elsewhere.
Handicrafts	Means goods produced by the use of hand tools or the use of mechanical appliances where such appliances do not produce the goods in a repetitive manner according to a predetermined pattern for production run purpose.

Hangar	Means a structure used to store aircraft, including for maintenance, servicing and/or repair purposes.
Hard Surfacing	<p>Means any part of that site which is impermeable and includes:</p> <ul style="list-style-type: none"> a. concrete, bitumen or similar driveways, paths or other areas paved with a continuous surface or with open jointed slabs, bricks, gobi or similar blocks; or hardfill driveways that effectively put a physical barrier on the surface of any part of a site; b. any area used for parking, manoeuvring, access or loading of motor vehicles; c. any area paved either with a continuous surface or with open jointed slabs, bricks, gobi or similar blocks; <p>The following shall not be included in hard surfacing:</p> <ul style="list-style-type: none"> a. paths of less than 1m in width; b. shade houses, glasshouses and tunnel houses not having solid floors.
Hazardous Substance	<p>Means any substance with one or more of the following characteristics:</p> <ul style="list-style-type: none"> a <ul style="list-style-type: none"> i explosives ii flammability iii a capacity to oxidise iv corrosiveness v toxicity (both acute and chronic) vi ecotoxicity, with or without bio-accumulation; or b which on contact with air or water (other than air or water where the temperature or pressure has been artificially increased or decreased) generates a substance with any one or more of the properties specified in paragraph a to this definition.
Health Care Facility	Means land and/or buildings used for the provision of services relating to the physical and mental health of people and animals but excludes facilities used for the promotion of physical fitness or beauty such as gymnasias, weight control clinics or beauticians.
Heavy Vehicle	Means a motor vehicle, other than a motor car that is not used, kept or available for the carriage of passengers for hire or reward, the gross laden weight of which exceeds 3500kg; but does not include a traction engine or vehicle designed solely or principally for the use of fire brigades in attendance at fires. (The Heavy Motor Vehicle Regulation 1974).
Height (Building)	<p>Means the vertical distance between ground level (as defined), unless otherwise specified in a District Plan rule, at any point and the highest part of the building immediately above that point. For the purpose of calculating height in all zones, account shall be taken of parapets, but not of:</p> <ul style="list-style-type: none"> a. aerials and/or antennas, mounting fixtures, mast caps, lightning rods or similar appendages for the purpose of telecommunications but not including dish antennae which are attached to a mast or building, provided that the

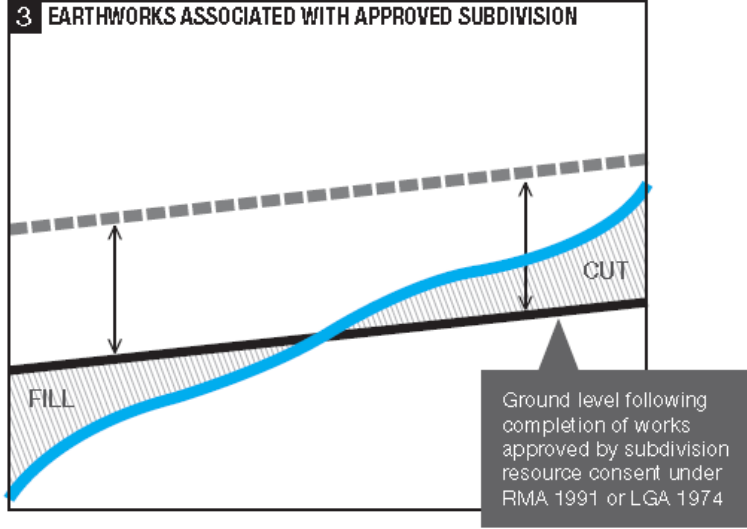
maximum height normally permitted by the rules is not exceeded by more than 2.5m; and

- b. chimneys or finials (not exceeding 1.1m in any direction); provided that the maximum height normally permitted by the rules is not exceeded by more than 1.5m.

See interpretive diagrams below and definition of GROUND LEVEL.



*Note earthworks may require resource consent

	<p>3 EARTHWORKS ASSOCIATED WITH APPROVED SUBDIVISION</p>  <p>Ground level following completion of works approved by subdivision resource consent under RMA 1991 or LGA 1974</p> <p>Legend:</p> <ul style="list-style-type: none"> ■ ■ ■ ■ ■ ■ ■ ■ Max height plane — Ground level (as per definition) ▨ ▨ ▨ ▨ ▨ ▨ ▨ ▨ Fill or cut — Finished surface of ground ↕ Max building height (as specified by zone) e.g. 8m — Surface of ground prior to any earthworks on site
<p>Heritage Fabric (For the purpose of Chapter 26 only)</p>	<p>Means any physical aspect of a heritage feature which contributes to its heritage values as assessed with the criteria contained in section 26.5. Where a heritage assessment is available on the Council’s records this will provide a good indication of what constitutes the heritage fabric of that heritage feature. Where such an assessment is not available, heritage fabric may include, but is not limited to:</p> <ol style="list-style-type: none"> a. original and later material and detailing which forms part of, or is attached to, the interior or exterior of a heritage feature; b. the patina of age resulting from the weathering and wear of construction material over time; c. fixtures and fittings that form part of the design or significance of a heritage feature but excludes inbuilt museum and art work exhibitions and displays, and movable items not attached to a building, unless specifically listed.

	d. heritage features which may require analysis by archaeological means, which may also include features dating from after 1900.
Heritage Feature or Features (For the purpose of Chapter 26 only)	Means the collective terms used to describe all heritage features listed in the Inventory of Listed Heritage Features under Section 26.8.
Heritage Significance (For the purpose of Chapter 26 only)	Means the significance of a heritage feature (identified in this Chapter as Category 1, 2, or 3) as evaluated in accordance with the criteria listed in section 26.5. A reduction in heritage significance means where a proposed activity would have adverse effects which would reduce the category that has been attributed to that heritage feature.
Historic Heritage	Means those natural and physical resources that contribute to an understanding and appreciation of New Zealand's history and cultures, deriving from any of the following qualities: <ul style="list-style-type: none"> a. archaeological; b. architectural; c. cultural; d. historic; e. scientific; f. technological; and and includes: <ul style="list-style-type: none"> a. historic sites, structures, places, and areas; and b. archaeological sites; and c. sites of significance to Maori, including wāhi tapu; and d. surroundings associated with natural and physical resources. e. heritage features (including where relevant their settings or extent of place), heritage areas, heritage precincts, and sites of significance to Maori.
Holding	Means an area of land in one ownership and may include a number of lots and/or titles.
Home Occupation	Means the use of a site for an occupation, business, trade or profession in addition to the use of that site for a residential activity and which is undertaken by person(s) living permanently on the site, but excludes homestay.
Homestay	Means the use of a residential unit including a residential flat by paying guests (where the length of stay by any guest is less than 90 nights) at the same time that either the residential unit or the residential flat is occupied by residents for use as a Residential Activity. Includes bed & breakfasts and farm-stays. Excludes: Residential Visitor Accommodation and Visitor Accommodation, including where a staff member lives on-site.

Hospital	Means any building in which two or more persons are maintained for the purposes of receiving medical treatment; and where there are two or more buildings in the occupation of the same person and situated on the same piece of land they shall be deemed to constitute a single building.
Hotel	Means any premises used or intended to be in the course of business principally for the provision to the public of: <ul style="list-style-type: none"> a. lodging; b. liquor, meals and refreshments for consumption on the premises.
Household	Means a single individual or group of people, and their dependents who normally occupy the same primary residence.
Household Income	Means all income earned from any source, by all household members.
Hydro Generation Activity	Means activities associated with the generation of hydroelectricity and includes the operation, maintenance, refurbishment, enhancement and upgrade of hydro generation facilities.
Indigenous Vegetation	Means vegetation that occurs naturally in New Zealand, or arrived in New Zealand without human assistance, including both vascular and non-vascular plants.
Indoor Design Sound Level	Means 40 dB Ldn in all critical listening environments.
Industrial Activity	Means the use of land and buildings for the primary purpose of manufacturing, fabricating, processing, packing, or associated storage of goods
Informal Airport	Means any defined area of land or water intended or designed to be used for the landing, departure movement or servicing of aircraft and specifically excludes the designated 'Aerodromes', shown as designations 2, 64, and 239 in the District Plan. This excludes the airspace above land or water located on any adjacent site over which an aircraft may transit when arriving and departing from an informal airport.
Informal Recreation	Means a pastime, leisure sport or exercise activity that occurs on an ad hoc basis or are regularly and contributes to a person's enjoyment and/or relaxation. Excludes Organised sport and recreation.
Internal Boundary	Means any boundary of the net area of a site other than a road boundary.
Internal Alterations (For the purpose of Chapter 26 only)	Means undertaking works affecting the internal heritage fabric of heritage features, but excludes repairs and maintenance. Internal alterations includes the partial removal and replacement of decoration, windows, ceilings, floors or roofs that only affect the interior of the building.
Kitchen Facility	Means any space, facilities and surfaces for the storage, rinsing preparation and/or cooking of food, the washing of utensils and the disposal of waste water, including a food preparation bench, sink, oven, stove, hot-plate or separate hob, refrigerator, dish-washer and other kitchen appliances.

LAeq (15min)	Means the A frequency weighted time average sound level over 15 minutes, in decibels (dB).
LAFmax	Means the maximum A frequency weighted fast time weighted sound level, in decibels (dB), recorded in a given measuring period.
Ldn	Means the day/night level, which is the A frequency weighted time average sound level, in decibels (dB), over a 24-hour period obtained after the addition of 10 decibels to the sound levels measured during the night (2200 to 0700 hours).
Lake	Means a body of fresh water which is entirely or nearly surrounded by land ⁴ .
Landfill	Means the use of land for the primary purpose of providing a disposal facility for the controlled deposit of solid wastes, household wastes and green waste onto or into land. Excludes offal pits, silage pits and silage stacks that are part of a farming activity.
Landmark Building (For the purposes of Chapter 12 only)	Means a building that is easily recognisable due to notable physical features including additional height. Landmark buildings provide an external point of reference that helps orientation and navigation through the urban environment and are typically located on corners or at the termination of a visual axis.
Landscaping	Means the provision of tree and/or shrub plantings and may include any ancillary lawn, water, rocks, paved areas or amenity features, the whole of such provision being so arranged as to improve visual amenity, human use and enjoyment and/or to partially or wholly screen activities or buildings, and/or to provide protection from climate.
Landside	Means an area of an airport and buildings to which the public has unrestricted access.
Large Format Retail	Means any single retail tenancy which occupies 500m ² or more of GFA. Refer definition of GFA.
Laundry Facilities	Means facilities for the rinsing, washing and drying of clothes and household linen, and the disposal of waste water, and includes either a washing machine, tub or clothes dryer.
Licensed Premises	Means any premises or part of any premises, in which liquor may be sold pursuant to a licence, and includes any conveyance, or part of any conveyance on which liquor may be sold pursuant to the licence.
Lift Tower	Means a structure used for housing lift machinery and includes both the lift shaft and machinery room.

⁴ From section 2 of the Act

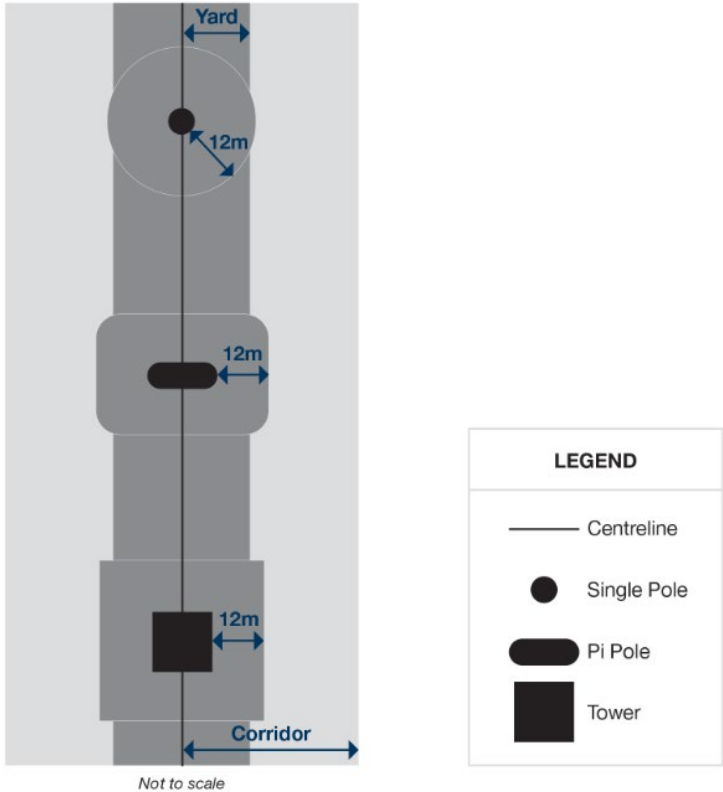
Liquor	Shall have the same meaning as alcohol as defined in the Sale and Supply of Alcohol Act 2012.
Listed Heritage Feature (For the purpose of Chapter 26 only)	Means the collective terms used to explain all buildings, features, and structures listed in the Inventory of Listed Heritage Features (26.8).
Living Area	Means any room in a residential unit other than a room used principally as a bedroom, laundry or bathroom.
Loading Space	Means a portion of a site, whether covered or not, clear of any road or service lane upon which a vehicle can stand while being loaded or unloaded.
Lot (Subdivision)	Means a lot, two or more adjoining lots to be held together in the same ownership, or any balance area, shown on a subdivision consent plan, except that in the case of land being subdivided under the cross lease or company lease systems or the Unit Titles Act 2010, lot shall have the same meaning as site.
Low Income	Means household income below 80% of the area median Income.
Manoeuvre Area	Means that part of a site used by vehicles to move from the vehicle crossing to any parking, garage or loading space and includes all driveways and aisles, and may be part of an access strip.
Marine retail activities	Means the sale or hire of marine craft and accessories, and retail accessory to marinas and water related sport and recreation activities.
MASL	Means “metres above sea level”.
Mast	Means any pole, tower or similar structured designed to carry antennas or dish antennas or otherwise to facilitate telecommunications.
Mineral	Means a naturally occurring inorganic substance beneath or at the surface of the earth, whether or not under water and includes all metallic minerals, nonmetallic minerals, fuel minerals, precious stones, industrial rocks and building stones and a prescribed substance within the meaning of the Atomic Energy Act 1945.
Mineral Exploration	Means any activity undertaken for the purpose of identifying mineral deposits or occurrences and evaluating the feasibility of mining particular deposits or occurrences of 1 or more minerals; and includes any drilling, dredging, or excavations (whether surface or subsurface) that are reasonably necessary to determine the nature and size of a mineral deposit or occurrence; and to explore has a corresponding meaning.
Mineral Prospecting	Means any activity undertaken for the purpose of identifying land likely to contain mineral deposits or occurrences; and includes the following activities: <ul style="list-style-type: none"> a. geological, geochemical, and geophysical surveys; b. the taking of samples by hand or hand held methods; c. aerial surveys.

Mini and Micro Hydro Electricity Generation	Means conversion of the energy of falling water into electricity. Mini and micro generation may utilise impulse or reaction turbines and include intake or diversion structures, small weir, headrace, penstock, channel, pipes and generator.
Mining	Means to take, win or extract, by whatever means: <ul style="list-style-type: none"> a. a mineral existing in its natural state in land; or b. a chemical substance from a mineral existing in its natural state in land.
Mining Activity	Means operations in connection with mining for any mineral; and includes, when carried out at or near the site where the mining is undertaken: <ul style="list-style-type: none"> • the extraction, transport, treatment, processing, and separation of any mineral or chemical substance from the mineral; and • the construction, maintenance, and operation of any works, structures, and other land improvements, and of any related machinery and equipment connected with the operations; and • the removal of overburden by mechanical or other means, and the stacking, deposit, storage, and treatment of any substance considered to contain any mineral; and • the deposit or discharge of any mineral, material, debris, tailings, refuse, or wastewater produced from or consequent on the operations. Mineral extraction, extraction or extractive activities shall have the same meaning.
Minor Alterations and Additions to a Building (For the purposes of Chapter 10 only)	Means the following: <ul style="list-style-type: none"> a. constructing an uncovered deck; b. replacing windows or doors in an existing building that have the same profile, trims and external reveal depth as the existing; c. changing existing materials or cladding with other materials or cladding of the same texture, profile and colour.
Minor Repairs and Maintenance (For the purpose of Chapter 26 only)	Means repair of building materials and includes replacement of minor components such as individual bricks, cut stone, timber sections, roofing and glazing. The replacement items shall be of the original or closely matching material, colour, texture, form and design, except that there shall be no replacement of any products containing asbestos, but a closely matching product may be used instead. <p>Repairs and maintenance works that do not fall within this definition will be assessed as alterations.</p>
Minor repairs, maintenance and alterations (For the purpose of Chapter 12 only)	Means the repair, maintenance, and alteration of jetties and wharves where the scale and dimensions are not changed by more than 5% and any replacement materials are of the same or a closely matching material or texture and the same or closely matching colour.

<p>Minor Trimming (For the purpose of Chapters 24 and 32 only)</p>	<p>Means the removal of not more than 10% of the live foliage from the canopy of the tree or structural scaffold branches within a single calendar year.</p>
<p>Minor Trimming of a Hedgerow (For the purpose of Chapters 24 and 32 only)</p>	<p>Means the removal of not more than 50% of the live foliage within a single five year period.</p>
<p>Minor Upgrading (For the purpose of Chapter 30 only)</p>	<p>Means an increase in the carrying capacity, efficiency or security of electricity transmission and distribution or telecommunication lines utilising the existing support structures or structures of similar character, intensity and scale and includes the following:</p> <ol style="list-style-type: none"> a. addition of lines, circuits and conductors; b. reconducting of the line with higher capacity conductors; c. re-sagging of conductors; d. bonding of conductors; e. addition or replacement of longer or more efficient insulators; f. addition of electrical fittings or ancillary telecommunications equipment; g. addition of earth-wires which may contain lightning rods, and earth-peaks; h. support structure replacement within the same location as the support structure that is to be replaced; i. addition or replacement of existing cross-arms with cross-arms of an alternative design; j. replacement of existing support structures provided they are the same or similar in height, diameter and are located within 5 metres of the base of the support structure being replaced; k. addition of a single service support structure for the purpose of providing a service connection to a site, except in the Rural zone; l. the addition of up to four new support structures extending the length of an existing line provided the line has not been lengthened in the preceding five year period. m. An increase in support structure height required to comply with NZECP34:2001 by not more than 3 metres provided that the support structure has not been replaced within the preceding 10-year period.
<p>Mobility parking space</p>	<p>Means a parking space designed and reserved for the exclusive use of people whose mobility is restricted and who have a mobility permit issued. It also means 'accessible park/parking' and 'disabled/disability park/parking' as referred to in various external standards and guidance documents.</p>
<p>Moderate Income</p>	<p>Means household income between 80% and 120% of the area median income.</p>
<p>Motorised Craft</p>	<p>Means any boat powered by an engine.</p>

Motor vehicle repair and servicing	Means land and/or buildings used for the servicing, repair (including panel beating and spray painting repair) of motor vehicles, agricultural machinery or boats and ancillary activities (including the sale and/or fitting of accessories).
Municipal infrastructure	<p>Means infrastructure owned and operated by Council for:</p> <ul style="list-style-type: none"> a) Conveyance of untreated water from source to, and including, the point of its treatment to potable standard for an urban environment (see below), but excluding its distribution within that urban environment; b) Treatment of wastewater from a reticulated system in an urban environment (see below) and conveyance for its disposal, but excluding its pre-treatment collection within that urban environment; c) Treatment of stormwater from a reticulated system in an urban environment (see below) and conveyance for its disposal, but excluding its pre-treatment collection within that urban environment. <p>For the purposes of the definition of Municipal infrastructure, urban environment means:</p> <ul style="list-style-type: none"> I. All land zoned within Part Three – Urban Environment, comprising Chapters 7 to 17 inclusive and Chapter 44 (Coneburn Industrial Zone). II. Any Open Space and Recreation Zone located within an Urban Growth Boundary identified on the District Plan web mapping application. III. Jacks Point Zone Chapter 41.
National Grid	<p>Means the network that transmits high-voltage electricity in New Zealand and that, at the notification of this Plan, was owned and operated by Transpower New Zealand Limited, including:</p> <ul style="list-style-type: none"> a. transmission lines; and b. electricity substations⁵.
National Grid Subdivision Corridor	<p>Means the area measured either side of the centreline of above ground National Grid transmission line as follows:</p> <ul style="list-style-type: none"> a. 16m for the 110kV lines on pi poles b. 32m for 110kV lines on towers or mono poles c. 37m for the 220kV transmission lines. <p>Excludes any transmission lines (or sections of line) that are designated.</p>
National Grid Sensitive Activities	<p>Means those activities that are particularly sensitive to National Grid transmission lines. Such activities include buildings or parts of buildings used for, or able to be used for the following purposes:</p>

⁵ Adapted from the Resource Management (National Environmental Standards for Electricity Transmission Activities) Regulations 2009

	<ul style="list-style-type: none"> a. hospital; b. day care facility; c. educational activity; d. home stay; e. healthcare facility; f. papakainga; g. any residential activity; h. visitor accommodation.
<p>National Grid Yard</p>	<p>Means:</p> <ul style="list-style-type: none"> a. the area located 12 metres in any direction from the outer edge of a national grid support structure; and b. the area located 12 metres either side of the centreline of any overhead national grid line; <p>(as shown in dark grey in diagram below)</p>  <p>Excludes any transmission lines (or sections of line) that are designated.</p>
<p>Nature Conservation Values</p>	<p>Means the collective and interconnected intrinsic value of indigenous flora and fauna, natural ecosystems (including ecosystem services), and their habitats.</p>
<p>Navigation Infrastructure</p>	<p>Means any permanent or temporary device or structure constructed and operated for the purpose of facilitating navigation by aircraft.</p>

<p>Net Area (Site or Lot)</p>	<p>Means the total area of the site or lot less any area subject to a designation for any purpose, and/or any area contained in the access to any site or lot, and/or any strip of land less than 6m in width.</p>
<p>Net Floor Area</p>	<p>Means the sum of the floor areas, each measured to the inside of the exterior walls of the building, and shall include the net floor area of any accessory building, but it shall exclude any floor area used for:</p> <ol style="list-style-type: none"> a. lift wells, including the assembly area immediately outside the lift doors for a maximum depth of 2m; b. stairwells; c. tank rooms, boiler and heating rooms, machine rooms, bank vaults; d. those parts of any basement not used for residential, retail, office or industrial uses; e. toilets and bathrooms, provided that in the case of any visitor accommodation the maximum area permitted to be excluded for each visitor unit or room shall be 3m²; f. 50% of any pedestrian arcade, or ground floor foyer, which is available for public thoroughfare; g. parking areas required by the Plan for, or accessory to permitted uses in the building.
<p>Noise Event</p>	<p>Means an event, or any particular part of an event, whereby amplified sound, music, vocals or similar noise is emitted by the activity, but excludes people noise. Where amplified noise ceases during a particular event, the event is no longer considered a noise event.</p>
<p>Noise Limit</p>	<p>Means a LAeq (15min) or LAFmax sound level in decibels that is not to be exceeded.</p>
<p>Non-accessory parking</p>	<p>Parking that is provided as a principal activity on the site and is not accessory to any of the approved activities on the site. The parking may be:</p> <ul style="list-style-type: none"> • available to members of the public for a charge or fee • reserved or leased. <p>Excludes:</p> <ul style="list-style-type: none"> • Park and Ride <p>Includes:</p> <ul style="list-style-type: none"> • short term, long term, and off-site parking
<p>Non-Contributory Buildings (For the purpose of Chapter 26 only)</p>	<p>Means buildings within a heritage precinct that have no identified heritage significance or fabric and have not been listed for individual protection in the Inventory of Listed Heritage Features under Rule 26.8. They have been identified within a heritage precinct because any future development of a site containing a non-contributory building may impact on the heritage values of heritage features or contributory buildings within the heritage precinct. Non-Contributory Buildings are identified on the plans under Section 26.7 'Heritage Precincts'.</p>

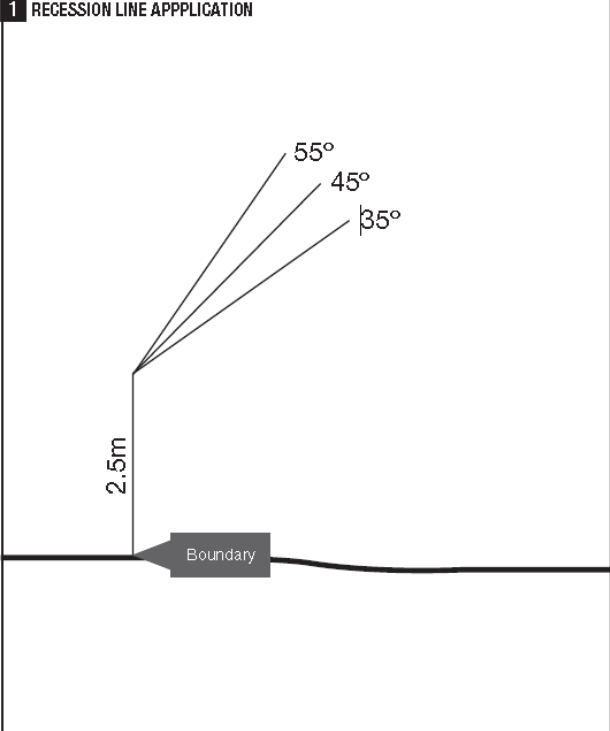
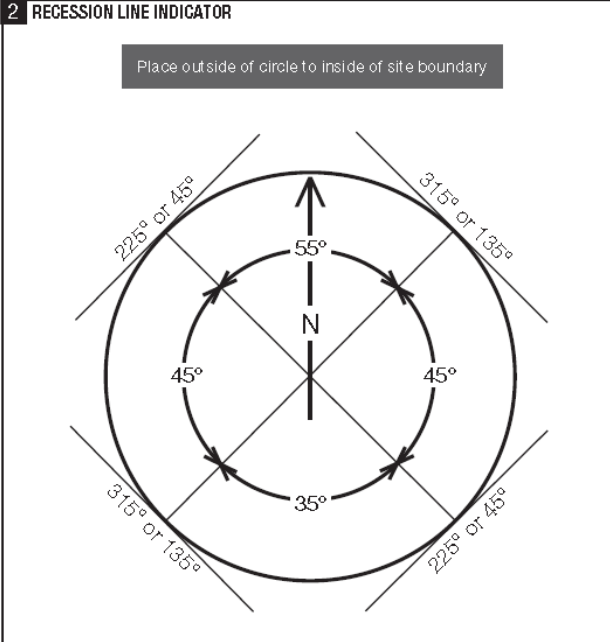
Non Critical Listening Environment	Means any space that is not regularly used for high quality listening or communication including bathroom, laundry, toilet, pantry, walk-in-wardrobe, corridor, hallway, lobby, cloth drying room, or other space of a specialised nature occupied neither frequently nor for extended periods.
No net loss	Means no overall reduction in biodiversity as measured by the type, amount and condition.
Notional Boundary	Means a line 20m from any side of residential unit or the legal boundary whichever is closer to the residential unit.
Office	Means any of the following: <ul style="list-style-type: none"> a. administrative offices where the administration of any entity, whether trading or not, and whether incorporated or not, is conducted; b. commercial offices being place where trade, other than that involving the immediately exchange for goods or the display or production of goods, is transacted; c. professional offices.
Off-site parking	Parking on a site that is dedicated to the use of an activity taking place on another site and provides parking which would have otherwise been required or permitted on the same site as the activity.
Open Space	Means any land or space which is not substantially occupied by buildings and which provides benefits to the general public as an area of visual, cultural, educational, or recreational amenity values.
Organised sport and recreation	Means activities that require physical effort and skills, are competitive, occur on a regular basis, have formal rules, referees and officials, and are organised within formal structures. The activity typically involves the following: <ul style="list-style-type: none"> • exclusive use of public open space during the course of the activity; • participants and spectators; • use of club rooms, changing facilities; • training and practice sessions; • payment of money to conduct activity; • organised by a club, sporting body or group; • booking and recording system of scheduled hours per week of each sports filed by the owner or administrator of the sports field.
Outdoor Living Space	Means an area of open space to be provided for the exclusive use of the occupants of the residential unit to which the space is allocated.
Outdoor Recreation Activity	Means a recreation activity undertaken entirely outdoors with buildings limited to use for public shelter, toilet facilities, information and ticketing.
Outdoor Storage	Means land used for the purpose of storing vehicles, equipment, machinery, natural and processed products and wastes, outside a fully enclosed building for periods in excess of 4 weeks in any one year.

Outer Control Boundary (OCB)	Means a boundary, as shown on the District Plan web mapping application, the location of which is based on the predicted day/night sound levels of 55 dBA Ldn from airport operations in 2036 for Wānaka Airport and 2037 for Queenstown Airport.
Park and Ride	Means a parking area which is located and purposely designed to support the frequent public transport network and to provide specifically for users of a public transport network who: <ul style="list-style-type: none"> • travel by private vehicle to the park and ride parking area, then • leave their vehicle at the facility and transfer to the frequent public transport network to continue their journey. Park and Ride includes car parking areas, public transport interchange and associated security measures, bicycle parking, fencing, lighting, ticketing systems, shelter and ticketing structures, landscape planting and earthworks.
Parking Area	Means that part of a site within which vehicle parking spaces are accommodated, and includes all parking spaces, manoeuvre areas and required landscape areas.
Parking Space	Means a space on a site available at any time for accommodating one stationary motor vehicle.
Parks Maintenance	Means maintenance and repair undertaken within Council -controlled reserves, including: <ul style="list-style-type: none"> • maintenance and repair of any buildings and structures; • maintenance and repair of foot paths and tracks; • clearing or reforming drainage channels; • topsoiling, reseeding, sandslitting of sports fields and grassed areas; • Weed management, grass mowing and planting of trees and gardens; • replacement, repairs, maintenance or upgrading of existing bridges, boardwalks and culverts; and resealing and sealing metalled parking and access drives and internal park roads.
Partial Demolition (For the purpose of Chapter 26 only)	Means the demolition of the heritage fabric of a heritage feature exceeding 30% but less than 70% by volume or area whichever is the greater. Volume is measured from the outermost surface of the heritage feature (including any surfaces below ground) and the area is measured by the footprint of the heritage feature. Partial demolition shall be determined as the cumulative or incremental demolition of the heritage fabric as from 7 May 2018.
Passenger Lift Systems	Means any mechanical system used to convey or transport passengers and other goods within or to a Ski Area Sub-Zone, including chairlifts, gondolas, T-bars and rope tows, and including all moving, fixed and ancillary components of such systems such as towers, pylons, cross arms, pulleys, cables, chairs, cabins, and structures to enable the embarking and disembarking of passengers. Excludes base and terminal buildings.
Photovoltaics (PV)	Means a device that converts the energy in light (photons) into electricity, through the photovoltaic effect. A PV cell is the basic building block of a PV system, and cells are connected together to create a single PV module

	(sometimes called a 'panel'). PV modules can be connected together to form a larger PV array.
Potable Water Supply	Means a water supply that meets the criteria of the Ministry of Health 'Drinking Water Standards for New Zealand 2005 (revised 2008)'.
Principal Building	Means a building, buildings or part of a building accommodating the activity for which the site is primarily used.
Private Way	Means any way or passage whatsoever over private land within a district, the right to use which is confined or intended to be confined to certain persons or classes of persons, and which is not thrown open or intended to be open to the use of the public generally; and includes any such way or passage as aforesaid which at the commencement of this Part exists within any district ⁶ .
Professional Staff (For the purposes of Chapter 29 only)	Means staff excluding administrative staff in relation to Health Care Services.
Projected Annual Aircraft Noise Contour (AANC)	Means the projected annual aircraft noise contours calculated as specified by the Aerodrome Purposes Designation 2, Condition 15.
Public Amenities	Means, the following facilities established for the convenience and amenity of the public: <ul style="list-style-type: none"> • landscaping and planting • public toilets • street furniture, including seating, and picnic tables • bicycle stands • fountains • drinking fountains • rubbish bins • barbeques • lighting • shelters • post boxes • telephone booths • showers and changing rooms • playgrounds

⁶ From the Local Government Act 1974.

	<ul style="list-style-type: none"> public artwork
Public Area	Means any part(s) of a building open to the public, but excluding any service or access areas of the building.
Public Place	Means every public thoroughfare, park, reserve, lake, river or place to which the public has access with or without the payment of a fee, and which is under the control of the council, or other agencies. Excludes any trail as defined in this Plan.
Public Space (For the purposes of Chapter 32 only)	Means the parts of the district that are owned and managed by the Queenstown Lakes District Council, are accessible to the public within the Residential Arrowtown Historic Management Zone including roads, parks and reserves.
Public Transport Facility	<p>A facility for passenger movements on/off and between public transport services, including:</p> <ul style="list-style-type: none"> Passenger waiting areas Shelters Public ferry terminals Ticketing and other passenger facilities Bus interchanges
Public Water Ferry Service	<p>Means a ferry service for the carriage of passengers for hire or reward, which is available to the public generally and is operated to a fixed regular schedule, including during normal commuting hours, runs between various stops and provides the ability for passengers to embark and disembark from the vessel at those various stops, but does not include any such service that:</p> <ul style="list-style-type: none"> is contracted or funded by the Ministry of Education for the sole or primary purpose of transporting school children to and from school; or is operated for the sole or primary purpose of transporting passengers to or from a predetermined event. <p>The definition is limited to that part of the ferry service that occurs on the surface of the water and excludes any associated activity that occurs on land or on a structure attached to land, including the lake bed.</p>
Radio Communication Facility	Means any transmitting/receiving devices such as aerials, dishes, antennas, cables, lines, wires and associated equipment/apparatus, as well as support structures such as towers, masts and poles, and ancillary buildings.
Rear Site	Means a site which is situated generally to the rear of another site, both sites having access to the same road or private road, and includes sites which have no frontage to a road or private road of 6m or more.
Recession Lines/Recession Plane	Means the lines constructed from points or above a boundary surface or a road surface, the angle of inclination of which is measured from the horizontal, at right angles to a site boundary and in towards the site. See interpretive diagrams below.

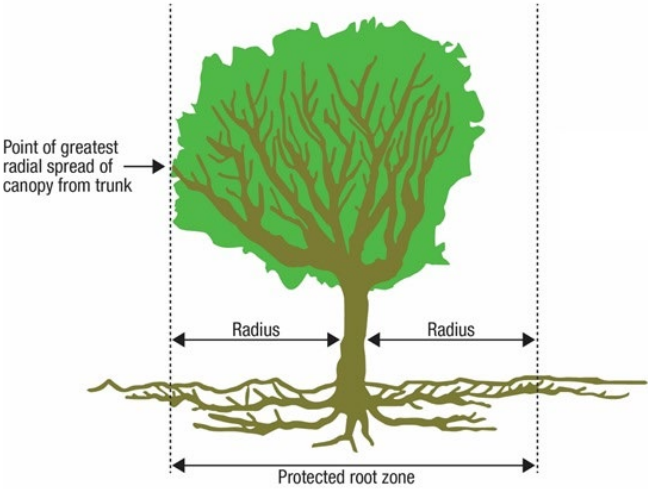
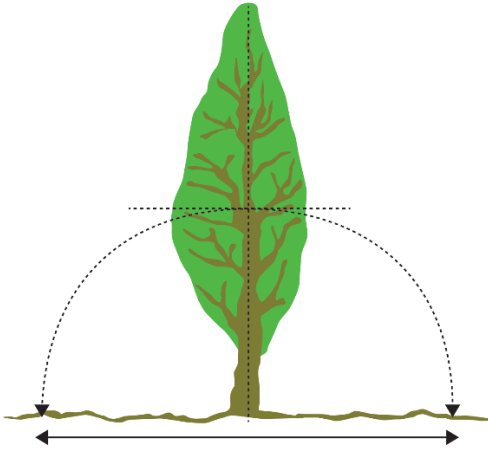
	<p>1 RECESSION LINE APPLICATION</p>  <p>2 RECESSION LINE INDICATOR</p> <p>Place outside of circle to inside of site boundary</p>  <p>NOTE: North is True North. Bearings on the circle increase in a clockwise direction. Where a boundary is on a line between two directions, the more restrictive recession plane shall apply.</p>
<p>Recreation</p>	<p>Means activities which give personal enjoyment, satisfaction and a sense of well being.</p>
<p>Recreational Activity</p>	<p>Means the use of land and/or buildings for the primary purpose of recreation and/or entertainment. Excludes any recreational activity within the meaning of residential activity.</p>

Recreational Tracks	Means a sealed or unsealed pathway or greenway within Council controlled reserves that is used for informal or organised recreational purposes such as walking, cycling, horseriding, or fitness.
Recreation Facility	Means a facility where the primary purpose is to provide for sport and recreation activities and includes recreation centres, swimming pools, fitness centres and indoor sports centres but excludes activities otherwise defined as Commercial Recreation Activities.
Regionally Significant Infrastructure	Means: <ul style="list-style-type: none"> a. renewable electricity generation activities undertaken by an electricity operator; and b. the national grid; and c. telecommunication and radio communication facilities; and d. state highways; and e. Queenstown and Wānaka airports and associated navigation infrastructure; and f. municipal infrastructure.
Relocated/Relocatable Building	Means a building which is removed and re-erected on another site, but excludes any newly pre-fabricated building which is delivered dismantled to a site for erection on that site. This definition excludes removal and re-siting.
Relocation (For the purpose of Chapter 26 only)	Means the relocation of heritage features, both within, or beyond the site. The definition of Relocation (Buildings) in Chapter 2 (which means the removal of a building from any site to another site) shall not apply to chapter 26.
Relocation (Building)	Means the removal of any building from any site to another site.
Remotely Piloted Aircraft	Means an unmanned aircraft that is piloted from a remote station.
Removal (Building)	Means the shifting of a building off a site and excludes demolition of a building.
Renewable Electricity Generation (REG)	Means generation of electricity from solar, wind, hydro-electricity, geothermal and biomass energy sources.
Renewable Electricity Generation Activities	Means the construction, operation and maintenance of structures associated with renewable electricity generation. This includes small and community-scale distributed renewable generation activities and the system of electricity conveyance required to convey electricity to the distribution network and/or the national grid and electricity storage technologies associated with renewable electricity. Includes research and exploratory scale investigations into technologies, methods and sites, such as masts, drilling and water monitoring. This definition includes renewable electricity generation (REG), solar water

	heating, wind electricity generation, and mini and micro hydro electricity generation (as separately defined).
Renewable Energy	Means energy that comes from a resource that is naturally replenished, including solar, hydro, wind, and biomass energy.
Reserve	Means a reserve in terms of the Reserves Act 1977.
Residential Activity	Means the use of land and buildings by people for the purpose of permanent residential accommodation, including all associated accessory buildings, recreational activities and the keeping of domestic livestock. For the purposes of this definition, residential activity shall include Community Housing, emergency refuge accommodation and the non-commercial use of holiday homes. Excludes visitor accommodation, residential visitor accommodation.
Residential Visitor Accommodation	Means the use of a building established as a residential unit (including a residential flat) by paying guests, where the length of stay by any guest is less than 90 nights. Excludes: Visitor Accommodation and Homestays. Note: Additional requirements of the Building Act 2004 may apply.
Residential Flat	Means a residential activity that comprises a self-contained flat that is ancillary to a residential unit and meets all of the following criteria: <ul style="list-style-type: none"> a. the total floor area does not exceed; <ul style="list-style-type: none"> i. 150m² in the Rural Zone, the Rural Lifestyle Zone, the Wakatipu Basin Rural Amenity Zone and the Hills Resort Zone; ii. 70m² in any other zone; not including in either case the floor area of any garage or carport; b. contains no more than one kitchen facility; c. is limited to one residential flat per residential unit; and d. is situated on the same site and held in the same ownership as the residential unit. Note: A proposal that fails to meet any of the above criteria will be considered as a residential unit.
Residential Unit	Means a residential activity which consists of a single self contained household unit, whether of one or more persons, and includes accessory buildings. Where more than one kitchen and/or laundry facility is provided on the site, other than a kitchen and/or laundry facility in a residential flat, there shall be deemed to be more than one residential unit.
Re-siting (Building)	Means shifting a building within a site.

Resort	Means an integrated and planned development involving low average density of residential development (as a proportion of the developed area) principally providing temporary visitor accommodation and forming part of an overall development focused on onsite visitor activities.
Restaurant	Means any land and/or buildings, or part of a building, in which meals are supplied for sale to the general public for consumption on the premises, including such premises which a licence has been granted pursuant to the Sale and Supply of Alcohol Act 2012.
Retail Sales / Retail / Retailing	Means the direct sale or hire to the public from any site, and/or the display or offering for sale or hire to the public on any site of goods, merchandise or equipment, but excludes recreational activities.
Retirement Village	Means residential units (either detached or attached) and associated facilities for the purpose of accommodating retired persons. This use includes as accessory to the principal use any services or amenities provided on the site such as shops, restaurants, medical facilities, swimming pools and recreational facilities and the like which are to be used exclusively by the retired persons using such accommodation.
Reverse Sensitivity	Means the potential for the operation of an existing lawfully established activity to be constrained or curtailed by the more recent establishment or intensification of other activities which are sensitive to the established activity.
Right of Way	Means an area of land over which there is registered a legal document giving rights to pass over that land to the owners and occupiers of other land.
River	Means a continually or intermittently flowing body of fresh water; and includes a stream and modified watercourse; but does not include any artificial watercourse (including an irrigation canal, water supply race, canal for the supply of water for electricity power generation, and farm drainage canal) ⁷ .
Road	Means a road as defined in section 315 of the Local Government Act 1974.
Road Boundary	Means any boundary of a site abutting a legal road (other than an accessway or service land) or contiguous to a boundary of a road designation. Frontage or road frontage shall have the same meaning as road boundary.
Root Protection Zone (For the purposes of Chapters 24 and 32 only)	Means for a tree with a spreading canopy, the area beneath the canopy spread of a tree, measured at ground level from the surface of the trunk, with a radius to the outer most extent of the spread of the tree's branches, and for a columnar tree, means the area beneath the canopy extending to a radius half the height of the tree. As demonstrated by the diagrams below.

⁷ From section 2 of the Act.

	<p style="text-align: center;">SPREADING CANOPY</p>  <p style="text-align: center;">COLUMNAR CANOPY</p> 
<p>Rural Industrial Activity</p>	<p>Means the use of land and buildings for the purpose of manufacturing, fabricating, processing, packing and/or storage of goods and materials grown or sourced within the Rural Zone and the storage of goods, materials and machinery associated with commercial contracting undertaken within the Rural Zone.</p>
<p>Sense of Place (For the purpose of Chapter 12 only)</p>	<p>Means the unique collection of visual, cultural, social, and environmental qualities and characteristics that provide meaning to a location and make it distinctly different from another. Defining, maintaining, and enhancing the distinct characteristics and quirks that make a town centre unique fosters community pride and gives the town a competitive advantage over others as it provides a reason to visit and a positive and engaging experience. Elements of the Queenstown town centre that contribute to its sense of place are the core of low rise character buildings and narrow streets and laneways at its centre, the pedestrian links, the small block size of the street grid, and its location adjacent to the lake and surrounded by the ever-present mountainous landscape.</p>
<p>Service Activity</p>	<p>Means the use of land and buildings for the primary purpose of the transport, storage, maintenance or repair of goods.</p>
<p>Service Lane</p>	<p>Means any lane laid out or constructed either by the authority of the council or the Minister of Works and Development or, on or after 1 April 1988, the Minister</p>

	of Lands for the purpose of providing the public with a side or rear access for vehicular traffic to any land ⁸ .
Service Station	<p>Means any site where the dominant activity is the retail sale of motor vehicle fuels, including petrol, LPG, CNG, and diesel, and may also include any one or more of the following:</p> <ol style="list-style-type: none"> a. the sale of kerosene, alcohol based fuels, lubricating oils, tyres, batteries, vehicle spare parts and other accessories normally associated with motor vehicles; b. mechanical repair and servicing of motor vehicles, including motor cycles, caravans, boat motors, trailers, except in any Residential, Town Centre or Settlement Zone; c. inspection and/or certification of vehicles; d. the sale of other merchandise where this is an ancillary activity to the main use of the site. <p>Excludes:</p> <ol style="list-style-type: none"> i. panel beating, spray painting and heavy engineering such as engine reboring and crankshaft grinding, which are not included within mechanical repairs of motor vehicles and domestic garden equipment for the purposes of b. above.
Setback	Means the distance between a building and the boundary of its site. Where any building is required to be set back from any site boundary, no part of that building shall be closer to the site boundary than the minimum distance specified. Where any road widening is required by this Plan, the setback shall be calculated from the proposed final site boundary. The setback distance shall only apply to buildings at ground, or above ground level.
Setting (For the purpose of Chapter 26 only)	<p>Means the area around and/or adjacent to a heritage feature listed under the Inventory of Listed Heritage Features in Section 26.8 and defined under 26.8.1, which is integral to its function, meaning, and relationships, and which is contained in the same legal title as the heritage feature listed on the Inventory of Listed Heritage Features.</p> <p>(Refer also to the definition of 'Extent of Place').</p>
Showroom	Means any defined area of land or a building given over solely to the display of goods. No retailing is permitted unless otherwise specifically provided for in the zone in which the land or building is located.

⁸ From section 315 of the Local Government Act 1974

<p>Sign and Signage</p>	<p>Means:</p> <ul style="list-style-type: none">a. any external name, figure, character, outline, display, excluding a display of physical goods or products available for sale on the premises, delineation, announcement, design, logo, mural or other artwork, poster, handbill, banner, captive balloon, flag, flashing sign, flatboard, free-standing sign, illuminated sign, moving signs, roof sign, sandwich board, streamer, billboard sign or any other thing of a similar nature which is:<ul style="list-style-type: none">i. intended to attract attention; andii. visible from a road or any public place;b. all material and components comprising the sign, its frame, background, structure, any support and any means by which the sign is attached to any other thing:c. corporate colour schemes;d. any sign written vehicle/trailer or any advertising media attached to a vehicle/trailer.
<p>Sign Area</p>	<p>Means the surface area of a sign, and includes</p> <ul style="list-style-type: none">a. all the area actually or normally enclosed, as the case may be, by the outside of a line drawn around the sign and enclosing the sign; andb. the entire area coloured with a corporate colour scheme.

Sign Types	<p>Above Ground Floor Sign: means a sign attached to a building above the verandah or above 3 metres in height from the ground.</p> <p>Arcade Directory Sign: means an externally located sign which identifies commercial activities that are accessed internally within a building or arcade.</p> <p>Banner: means any sign made of flexible material, suspended in the air and supported on more than one side by poles or cables.</p> <p>Billboard Sign means any sign, including located in a digital signage platform, that is for purely commercial brand awareness purposes and which does not relate to land use activity conducted on the site.</p> <p>Digital Sign: means an internally lit sign that displays electronic messages (text) and/or images.</p> <p>Digital Signage Platform: means a physical area specifically for the purpose of displaying digital signage.</p> <p>Flag: means any sign made of flexible material attached by one edge to a staff or halyard and includes a flagpole.</p> <p>Flashing Sign: means an intermittently illuminated sign. Excludes digital signs.</p> <p>Flat Board Sign: means a portable flat board sign which is not self-supporting.</p> <p>Free Standing Sign: means any sign which has a structural support or frame that is directly connected to the ground and which is independent of any other building or structure for its support; and includes a sign on a fence (excludes temporary construction signs).</p> <p>Moving Sign: means a sign other than a flag or a banner that is intended to physically move. Excludes digital signs.</p> <p>Off-Site Sign: means a sign which</p> <ol style="list-style-type: none"> a. does not relate to goods or services available at the site where the sign is located; b. is not a Billboard Sign; and c. is not a Temporary Event Sign. <p>Roof Sign: means any sign painted on or attached to a roof and any sign projecting above the roof line or parapet of the building to which it is attached.</p>
------------	--

	<p>Sandwich Board: means a self-supporting and portable sign.</p> <p>Signage Platform: means a physical area identified for the purpose of signage.</p> <p>Static Signage Platform: means a signage platform for the purpose of displaying any sign type other than a digital sign.</p> <p>Temporary Construction Sign: Means a sign within a construction site for the purpose of site management, including for directing vehicle movements and site safety, and also includes sign-written fabric or wind-break material attached to a fence within a construction site.</p> <p>Temporary Event Sign: means any sign established for the purpose of advertising or announcing a single forthcoming temporary event, function or occurrence including carnivals, fairs, galas, market days, meetings exhibitions, parades, rallies, filming, sporting and cultural events, concerts, shows, musical and theatrical festivals and entertainment; but does not include Electioneering Signs, Real Estate Signs, Temporary Construction Signs, a Temporary Land Development Sign, Off-Site Signs or Temporary Sale Signs.</p> <p>Temporary Land Development Sign: means a sign advertising or announcing a new or proposed development or subdivision.</p> <p>Temporary Sale Sign: means any sign established for the purpose of advertising or announcing the sale of products at special prices.</p> <p>Under Verandah Sign: means a sign attached to the underside of a verandah.</p> <p>Upstairs Entrance Sign: means a sign which identifies commercial activities that are located upstairs within a building.</p> <p>Wall Sign: means a sign attached to the wall of a building.</p>
--	--

<p>Significant Trimming (For the purposes of Chapters 24 and 32 only)</p>	<p>Means the removal of more than 10% of the live foliage from the canopy of the tree or structural scaffold branches.</p>
<p>Site</p>	<p>Means: Any area of land which meets one of the descriptions set out below:</p> <ul style="list-style-type: none"> a. An area of land which is: <ul style="list-style-type: none"> i. Comprised of one allotment in one certificate of title, or two or more contiguous allotments held together in one certificate of title, in such a way that the allotments cannot be dealt with separately without the prior consent of the council; or ii. Contained in a single lot on an approved survey plan of subdivision for which a separate certificate of title could be issued without any further consent of the council; <p>Being in any case the smaller area of clauses i. or ii. above; or</p> <ul style="list-style-type: none"> b. An area of land which is composed of two or more contiguous lots held in two or more certificates of title where such titles are: <ul style="list-style-type: none"> i. Subject to a condition imposed under section 75 of the Building Act 2004; or ii. Held together in such a way that they cannot be dealt with separately without the prior consent of the council; or c. An area of land which is: <ul style="list-style-type: none"> i. Partly made up of land which complies with clauses (a) or (b) above; and ii. Partly made up of an interest in any airspace above or subsoil below a road where (a) and (b) are adjoining and are held together in such a way that they cannot be dealt with separately without the prior approval of the council; <p>Except in relation to each description that in the case of land subdivided under the Unit Titles Act 1972 and 2010, the cross lease system or stratum subdivision, 'site' must be deemed to be the whole of the land subject to the unit development, cross lease or stratum subdivision.</p>
<p>Ski Area Activities</p>	<p>Means the use of natural and physical resources for the purpose of establishing, operating and maintaining the following activities and structures:</p> <ul style="list-style-type: none"> a. recreational activities either commercial or non-commercial; b. passenger lift systems; c. use of snow groomers, snowmobiles and 4WD vehicles for support or operational activities; d. activities ancillary to commercial recreational activities including avalanche safety, ski patrol, formation of snow trails and terrain; e. installation and operation of snow making infrastructure including reservoirs, pumps and snow makers; and

	<p>f. in the Waiorau Snow Farm Ski Area Sub-Zone vehicle and product testing activities, being activities designed to test the safety, efficiency and durability of vehicles, their parts and accessories.</p>
Ski Area Sub-Zone Accommodation	<p>Means the use of land or buildings for short-term living accommodation for visitor, guest, worker, and</p> <p>a. includes such accommodation as hotels, motels, guest houses, bunkhouses, lodges and the commercial letting of a residential unit; and</p> <p>b. may include some centralised services or facilities such as food preparation, dining and sanitary facilities, conference, bar and recreational facilities if such facilities are ancillary to the accommodation facilities; and</p> <p>c. is limited to visitors, guests or workers, visiting and or working in the respective Ski Area Sub-Zone.</p>
Sloping Site	<p>Means a site where the ground slope is greater than 6 degrees (i.e. greater than 1 in 9.5). Ground slope in relation to building height shall be determined by measurement over the extremities of each building elevation. Where any elevation indicates a ground slope of greater than 6 degrees (i.e. greater than 1 in 9.5), rules applicable to sloping sites will apply.</p>
Small and Community-Scale Distributed Electricity Generation	<p>Means renewable electricity generation for the purpose of using electricity on a particular site, or supplying an immediate community, or connecting into the distribution network.</p>
Small Cells Unit	<p>Means a device:</p> <p>a. that receives or transmits radio communication or telecommunication signals; and</p> <p>b. the volume of which (including any ancillary equipment, but not including any cabling) is not more than 0.11m³.</p>
Solar Electricity Generation	<p>Means the conversion of the sun's energy directly into electrical energy. The most common device used to generate electricity from the sun is photovoltaics (PV). This may include free standing arrays, solar arrays attached to buildings or building integrated panels.</p>
Solar Water Heating	<p>Means devices that heat water by capturing the sun's energy as heat and transferring it directly to the water or indirectly using an intermediate heat transfer fluid. Solar water heaters may include a solar thermal collector, a water storage tank or cylinder, pipes, and a transfer system to move the heat from the collector to the tank.</p>
Staff (For the purposes of Chapter 29 only)	<p>Means full time staff or full time staff equivalent. Provision for a full time staff equivalent is based on recognition of the fact that some businesses are operated in shifts.</p>
Stand-Alone Power Systems (SAPS)	<p>Means off-grid generation for activities including residential, visitor and farming activities, on remote sites that do not have connection to the local distribution network. SAP's will usually include battery storage, a backup generator, an inverter and controllers etc., as well as generation technologies such as solar, mini or micro hydro, wind electricity generation or a combination thereof.</p>

Structure	Means any building, equipment device or other facility made by people and which is fixed to land and includes any raft.
Structure Plan	Means a plan included in the district plan, and includes spatial development plans, concept development plans and other similarly titled documents.
Subdivision	Means: <ul style="list-style-type: none"> a. the division of an allotment: <ul style="list-style-type: none"> i. by an application to the Registrar-General of Land for the issue of a separate certificate of title for any part of the allotment; or ii. by the disposition by way of sale or offer for sale of the fee simple to part of the allotment; or iii. by a lease of part of the allotment which, including renewals, is or could be for a term of more than 35 years; or iv. by the grant of a company lease or cross lease in respect of any part of the allotment; or v. by the deposit of a unit plan, or an application to the Registrar-General of Land for the issue of a separate certificate of title for any part of a unit on a unit plan; or b. an application to the Registrar-General of Land for the issue of a separate certificate of title in circumstances where the issue of that certificate of title is prohibited by section 226.
Subdivision and Development	Includes subdivision, identification of building platforms, any buildings and associated activities such as roading, earthworks, lighting, landscaping, planting and boundary fencing and access/gateway structures.
Tavern	Means any premises used or intended to be used in the course of business principally for the provision to the public of liquor and other refreshments but does not include an airport bar.
Technical Arborist (For the purposes of Chapter 32 only)	Means a person who: <ul style="list-style-type: none"> a. by possession of a recognised arboricultural degree or diploma and on-the-job experience is familiar with the tasks, equipment and hazards involved in arboricultural operations; and b. has demonstrated proficiency in tree inspection and evaluating and treating hazardous trees; and c. has demonstrated competency to Level 6 NZQA Diploma in Arboriculture standard or Level 4 NZQA Certificate in Horticulture (Arboriculture) standard (or be of an equivalent arboricultural standard).
Temporary Activities	Means the use of land, buildings, vehicles and structures for the following listed activities of short duration, limited frequency and outside the regular day-to-day use of a site: <ul style="list-style-type: none"> a. temporary events; b. temporary filming; c. temporary activities related to building and construction;

	<ul style="list-style-type: none"> d. temporary military training; e. temporary storage; f. temporary utilities; g. temporary use of a site as an informal airport as part of a temporary event.
Temporary Events	<p>Means the use of land, buildings, tents and marquees, vehicles and structures for the following activities:</p> <ul style="list-style-type: none"> a. carnivals; b. fairs; c. festivals; d. fundraisers; e. galas; f. market days; g. meetings; h. exhibitions; i. parades; j. rallies; k. cultural and sporting events; l. concerts; m. shows; n. weddings; o. funerals; p. musical and theatrical entertainment, and q. uses similar in character. <p>Note: The following activities associated with Temporary Events are not regulated by the PDP:</p> <ul style="list-style-type: none"> a. Food and Beverage; b. Sale of Alcohol.
Temporary Filming Activity	Means the temporary use of land and buildings for the purpose of commercial video and film production and includes the setting up and dismantling of film sets, and associated facilities for staff.
Temporary Military Training Activity (TMTA)	Means a temporary military activity undertaken for defence purposes. Defence purposes are those in accordance with the Defence Act 1990.
Total Demolition (For the purposes of Chapter 26 only)	Means the demolition of the heritage fabric of a heritage feature equal to or exceeding 70% by volume or area whichever is greater. Volume is measured from the outermost surface of the heritage feature (including any surfaces below ground) and the area is measured by the footprint of the heritage feature.

Trade Supplier	<p>Means a business that is a mixture of wholesaling and retailing goods in one or more of the following categories:</p> <ol style="list-style-type: none"> a. automotive and marine suppliers; b. building suppliers; c. catering equipment suppliers; d. farming and agricultural suppliers; e. garden and patio suppliers f. hire services (except hire or loan of books, video, DVD and other similar home entertainment items); g. industrial clothing and safety equipment suppliers; and h. office furniture, equipment and systems suppliers.
Trade Wastes	<p>Means any water that is used in a commercial or industrial process, and is then discharged to the Council's waste water system.</p>
Trail	<p>Means any public access route legally created by way of a grant of easement registered after 11 December 2007 for the purpose of providing public access in favour of the Queenstown Lakes District Council, the Crown or any of its entities, and specifically excludes:</p> <ol style="list-style-type: none"> a. roads, including road reserves; b. public access easements created by the process of tenure review under the Crown Pastoral Land Act; and c. public access routes over any reserve administered by Queenstown Lakes District Council, the Crown or any of its entities.
Transport Infrastructure	<p>Means:</p> <ul style="list-style-type: none"> • footpaths, footways and footbridges, bridges for roads, tunnels, retaining walls for roads; • site access including vehicle crossings; • the road carriageway including widening; • bicycle paths and parking facilities, including electric bicycle and electric vehicle charging stations; • road lighting and support structures; • engineering measures (road markings, rumble strips, removal of roadside hazards, barriers, widened road margins, improving skid resistance, improving road geometry on bends and at intersections, fine tuning of signalised intersections, improving visibility at non-signalised intersections, fencing, speed humps, traffic separators); • public transport facilities and systems and supporting ancillary equipment and structures including seats, shelters, real time information systems and ticketing facilities, bicycle storage, and cabinets; • traffic control devices (including traffic islands, pedestrian crossings and roundabouts and intersection controls), traffic and cycle monitoring devices, traffic signals and support structures, cabinets and ancillary equipment associated with traffic signals;

	<ul style="list-style-type: none"> • devices and structures to implement regulatory controls (no stopping, no overtaking, parking control, bus lane controls, vehicle restrictions) including parking meters and pay and display kiosks, and speed cameras and red light/traffic cameras; • parking; and • any other structures required for transport activities on land in relation to the establishment of roads, cycleways, walkways, rail, or any other means.
Transport Network	Means the public roading network, all transport infrastructure, park and ride, public transport facilities, and the on-road and off-road public transport network and active transport network.
Unit	Means any residential unit, or visitor accommodation unit of any type.
Unformed road (For the purposes of Chapter 29 only)	Means land that is vested or dedicated as road that has never been formed in full or in part.
Urban Development	Means development which is not of a rural character and is differentiated from rural development by its scale, intensity, visual character and the dominance of built structures. Urban development may also be characterised by a reliance on reticulated services such as water supply, wastewater and stormwater and by its cumulative generation of traffic. For the avoidance of doubt, a resort development in an otherwise rural area does not constitute urban development, nor does the provision of regionally significant infrastructure within rural areas.
Urban Growth Boundary	Means a boundary shown on the District Plan web mapping application which provides for and contains existing and future urban development within an urban area.
Utility	Means the systems, services, structures and networks necessary for operating and supplying essential utilities and services to the community including: <ul style="list-style-type: none"> a. substations, transformers, lines and necessary and incidental structures and equipment for the transmissions and distribution of electricity; b. pipes and necessary incidental structures and equipment for transmitting and distributing gas; c. storage facilities, pipes and necessary incidental structures and equipment for the supply and drainage of water or sewage; d. water and irrigation races, drains, channels, pipes and necessary incidental structures and equipment (excluding water tanks); e. structures, facilities, plant and equipment for the treatment of water; f. structures, facilities, plant, equipment and associated works for receiving and transmitting telecommunications and radio communications; g. structures, facilities, plant, equipment and associated works for monitoring and observation of meteorological activities and natural hazards; h. structures, facilities, plant, equipment and associated works for the protection of the community from natural hazards;

	<ul style="list-style-type: none"> i. structures, facilities, plant and equipment necessary for navigation by water or air; j. waste management facilities; k. flood protection works; and l. anything described as a network utility operation in s166 of the Resource Management act 1991. <p>Utility does not include structures or facilities used for electricity generation, the manufacture and storage of gas, or the treatment of sewage.</p>
Vehicle control point (For the purposes of Chapter 29 only)	Means a point on a vehicle access route controlled by a barrier (or similar means) at which a vehicle is required to stop, or a point where conflict with vehicles already on the site may arise. For example, a point where vehicles on the access route may need to wait for a vehicle reversing from a parking space on the site or queueing for a service station filling point).
Vehicle Crossing	Means the formed and constructed vehicle entry/exit from the carriageway of any road up to and including that portion of the road boundary of any site across which vehicle entry or exit is obtained to and from the site, and includes any culvert, bridge or kerbing.
Verandah	Means a roof of any kind which extends out from a face of a building and continues along the whole of that face of the building.
Visitor Accommodation	<p>Means the use of land or buildings to provide accommodation for paying guests where the length of stay for any guest is less than 90 nights; and</p> <ul style="list-style-type: none"> i. Includes camping grounds, motor parks, hotels, motels, backpackers' accommodation, bunkhouses, tourist houses, lodges, timeshares and managed apartments; and ii. Includes services or facilities that are directly associated with, and ancillary to, the visitor accommodation, such as food preparation, dining and sanitary facilities, conference, bar, recreational facilities and others of a similar nature if such facilities are associated with the visitor accommodation activity. The primary role of these facilities is to service the overnight guests of the accommodation however they can be used by persons not staying overnight on the site. iii. Includes onsite staff accommodation. iv. Excludes Residential Visitor Accommodation and Homestays.
Visually Permeable	<p>In reference to a wall, gate, door or fence:</p> <p>Means continuous vertical or horizontal gaps of at least 50mm width occupying not less than one third of its face in aggregate of the entire surface or where narrower than 50mm, occupying at least one half of the face in aggregate.</p>
Waste	Means any contaminant, whether liquid solid, gaseous, or radioactive, which is discharged, emitted or deposited in the environment in such volume, constituency or manner as to cause an adverse effect on the environment, and which includes all unwanted and economically unusable by-products at any given place and time, and any other matters which may be discharged accidentally or otherwise, to the environment. Excludes cleanfill.

Waste Management Facility	Means a site used for the deposit of solid wastes onto or into land, but excludes: <ul style="list-style-type: none"> a. sites situated on production land in which the disposal of waste generated from that land takes place, not including any dead animal material or wastes generated from any industrial trade or process on that productive land; b. sites used for the disposal of vegetative material. The material may include soil that is attached to plant roots and shall be free of hazardous substances and wastes; and c. sites for the disposal of clean fill.
Waterbody	Means fresh water or geothermal water in a river, lake, stream, pond, wetland, or aquifer, or any part thereof, that is not located within the coastal marine area ⁹ .
Wetland	Includes permanently or intermittently wet areas, shallow water, and land water margins that support a natural ecosystem of plants and animals that are adapted to wet conditions ¹⁰ .
Wind Electricity Generation	Means the conversion of the energy from wind into electricity, through the use of the rotational motion. A wind turbine may be attached to a building or freestanding. Wind turbine components may include blades, nacelle, tower and foundation. This definition shall include masts for wind monitoring.
Works Within the Root Protection Zone (For the Purpose of Chapter 32 only)	Means works including paving, excavation, trenching, ground level changes, storage of materials or chemicals, vehicle traffic, vehicle parking, soil compaction, construction activity, whether on the same site or not as the tree.
2037 Noise Contours	Means the predicted airport noise contours for Queenstown airport for the year 2037 in 1dB increments from 70dB Ldn to 55dB Ldn inclusive. Note: These contours shall be available from the council and included in the airport noise management plan.
2037 60 dB Noise Contours	Means the predicted 60 dB Ldn noise contour for Queenstown airport for 2037 based on the 2037 noise contours.

⁹ From Section 2 of the Act

¹⁰ From Section 2 of the Act

2.2 Acronyms Used in this Plan

Listed below are acronyms used within the plan. They do not include the acronyms of names of activity areas identified within structure plans adopted under the PDP.

AANC	Projected annual aircraft noise contour
AMI	Area median income
ANB	Air noise boundary
ASAN	Activity sensitive to aircraft noise
C	Controlled
CIA	Cultural Impact Assessment
CPI	Consumer price index
CPTED	Crime prevention through environmental design
dB	Decibels
D	Discretionary
Ecm	Equivalent car movements
GFA	Gross floor area
GHOA	Glenorchy Heritage Overlay Area
HD	Hanley Downs
LAR	Limited access roads
LENZ	Land Environments New Zealand
MHOA	Macetown Heritage Overlay Area
NC	Non-complying
NES	National Environmental Standard
NESETA	Resource Management (National Environmental Standard for Electricity Transmission Activities) Regulations 2009
NOR	Notice of requirement
NZTA	New Zealand Transport Agency

OCB	Outer control boundary
ONF	Outstanding natural feature
ONL	Outstanding natural landscape
P	Permitted
PFA	Public floor area
PR	Prohibited
PV	Photovoltaics
RCL	Rural character landscape
RD	Restricted discretionary
REG	Renewable electricity generation
RMA	Resource Management Act 1991
SAPS	Stand-alone power systems
SEL	Sound exposure level
SHOA	Skippers Heritage Overlay Area
SMLHOA	Sefferton and Moke Lake Heritage Overlay Area
SNA	Significant natural areas
UGB	Urban growth boundary
Vpd	Vehicles per day

2.3 Glossary

Ahi kā	Continued occupation according to the customary law of Māori tenure (“keeping the fires burning”).
Ara Tawhito	Trails and routes. A network of trails crossed the region linking the permanent villages with seasonal inland campsites and the coast, providing access to a range of mahika kai resources and inland stone resources, including pounamu and silcrete.
Awa	River.
Hapū	Sub-tribe, extended whanau.
Iwi	Tribe.
Ngāi Tahu/ Kāi Tahu	The collective of individuals who descend from Ngāi Tahu, Kāti Māmoe and Waitaha who are Manawhenua in the Queenstown Lakes District.
Kāika	Settlement
Kaitiaki	Guardian.
Kaitiakitanga/ Kaitiakitaka	The exercise of customary custodianship, in a manner that incorporates spiritual matters, by tangata whenua who hold Manawhenua status for a particular area or resource.
Ki Uta Ki Tai	Mountains to the sea.
Mahinga Kai/ Mahika Kai	Mahinga kai refers to the gathering of food and natural materials, the places where those resources are sourced, and the traditions, customs and collection methods. Mahinga kai remains one of the cornerstones of Ngāi Tahu culture.
Mana	Authority, prestige, influence.
Manawhenua	Those who exercise customary authority or rangatiratanga.
Mauri	Life supporting capacity.
Maunga/ Mauka	Important mountains. Mountains are of great cultural importance to Ngāi Tahu. Many are places of spiritual presence, and prominent peaks in the District are linked to Ngāi Tahu creation stories, identity and mana.
Mōkihi	Raft made of bundles of raupō, flax stalks or rushes. These were used to navigate the inland lakes and rivers.
Nohoanga/ Nohoaka	A network of seasonal settlements. Ngāi Tahu were based largely on the coast in permanent settlements, and travelled inland on a seasonal basis. Iwi history shows, through place names and whakapapa, continuous occupation of a network of seasonal settlements, which were distributed along the main river systems from the source lakes to the sea.
Pā site	Fortified settlement.
Papakāinga/ Papakāika	Permanent settlement or settlement on traditional land.

Papatipu Rūnanga/ Rūnaka	Local Manawhenua representative group or community system of representation.
Pounamu	Nephrite, greenstone, jade.
Rāhui	Restriction on access to a specific resource for a particular time.
Rangātiratanga/Rakatirataka	Chieftainship, decision-making rights.
Repo Raupo	Wetlands or swamps. These provide valuable habitat for taonga species and mahinga kai resources.
Rohe	Boundary.
Tangata whenua	The iwi or hapū that holds mana whenua in a particular area.
Takiwā	Area, region, district.
Tauranga waka/Tauraka waka	Waka (canoe) mooring site.
Te Ao Tūroa	The natural environment
Tikanga/ Tikaka	Lore and custom, customary values and practices.
Tōpuni	Named for the Tōpuni cloak worn by Ngāi Tahu rangatira.
Tūāhu	Sacred place.
Tuhituhi neherā	Rock art.
Tūpuna/tīpuna	Ancestor.
Umu-tī	Earth oven used for cooking tī kōuka (cabbage tree). These are found in a diversity of areas, including old stream banks and river terraces, on low spurs or ridges, and in association with other features, such as nohoaka/ nohoanga.
Urupā	Burial place.
Wāhi kōhatu	Rock outcrops. Rock outcrops provided shelters and were intensely occupied by Māori from the moa-hunter period into early European settlement during seasonal hikoi. Tuhituhi neherā may be present.
Wāhi taonga/ Wāhi taoka	Resources, places and sites treasured by tangata whenua. These valued places reflect the long history and association of Ngāi Tahu with the Queenstown Lakes District.
Wāhi Tapu	Places sacred to tangata whenua.
Wāhi tohu	Features used as location markers within the landscape. Prominent landforms formed part of the network of trails along the coast and inland. These acted as fixed point locators in the landscape for travellers and are imbued with history.
Wāhi Tūpuna	Landscapes and places that embody the relationship of Manawhenua and their culture and traditions with their ancestral lands, water, sites, wāhi tapu, and other taonga.

Wāi Māori	Freshwater areas valued by Ngāi Tahu including wai puna (springs), roto (lakes) and awa (rivers).
Wairua	Life principle, spirit.
Wānanga/ Wānaka	Customary learning method.
Whakapapa	Genealogy.
Whānau	Family.